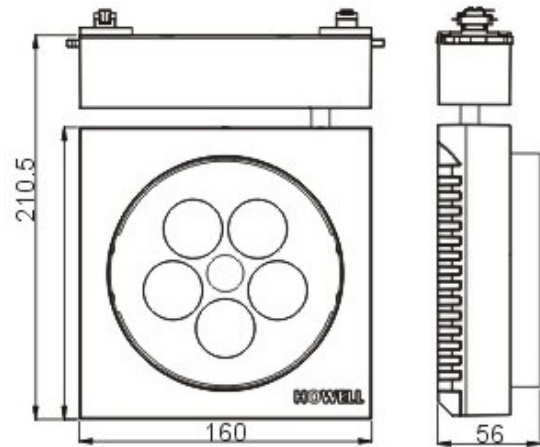


# LED Track Lighting – LR-T00101



Model No.	LR-T00101
LED Type	CREE XP
LED Q'TY.	15
Beam Angle	17°/33°/45°
Minimum luminous flux(lm)	2034
Voltage	120~264V
LED Watt	25.5W
Environmental Temperature	- 20°C-60°C
Environmental Humidity	0%-95%
Safety Class	I
Safety Type	IP20
Material	Aluminium
Driver	Included

For more information  
[www.ledrays.com](http://www.ledrays.com)